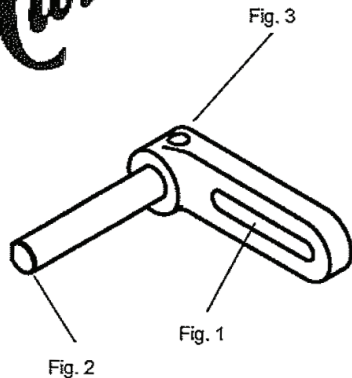


Carter

E SERIES INSTALLATION & ADJUSTMENT INSTRUCTIONS



1. **CAUTION:** Be sure to disconnect the saw from the power supply before installing or making any adjustments to the band saw guides or mounts.
2. The E series brackets can be mounted to most frames with an available bolt hole behind or near the rear center of the blade. If a bolt hole does not exist then one must be drilled and tapped with the appropriate screw thread to facilitate mounting.
3. Bolt the E series slotted bracket to your saws frame by placing a screw through the slot (Fig. 1).
4. Mount your guides to the end of the stud (Fig. 2) rotating the stud to align the flat to the set screw location of your guide. Then tighten the stud set screw (Fig. 3)
5. Before tightening adjust the stud to align the guides in the correct position with respect to the blade. Make sure guides are parallel and perpendicular with the band saw blade for proper performance. Make sure to leave adequate clearance for the height of your guide and table tilt.
6. When the desired alignment and spacing has been set the bracket should be locked into place by tightening the main attachment bolt. In-adequate tension may cause your mount and guides to wander and cause potential hazard to operator. Due to machine vibration it is advisable to check and retighten these during regular maintenance.

CARTER PRODUCTS COMPANY

2871 Northridge Drive NW- Grand Rapids, MI 49544 - Toll Free: 888.622.7837

www.carterproducts.com